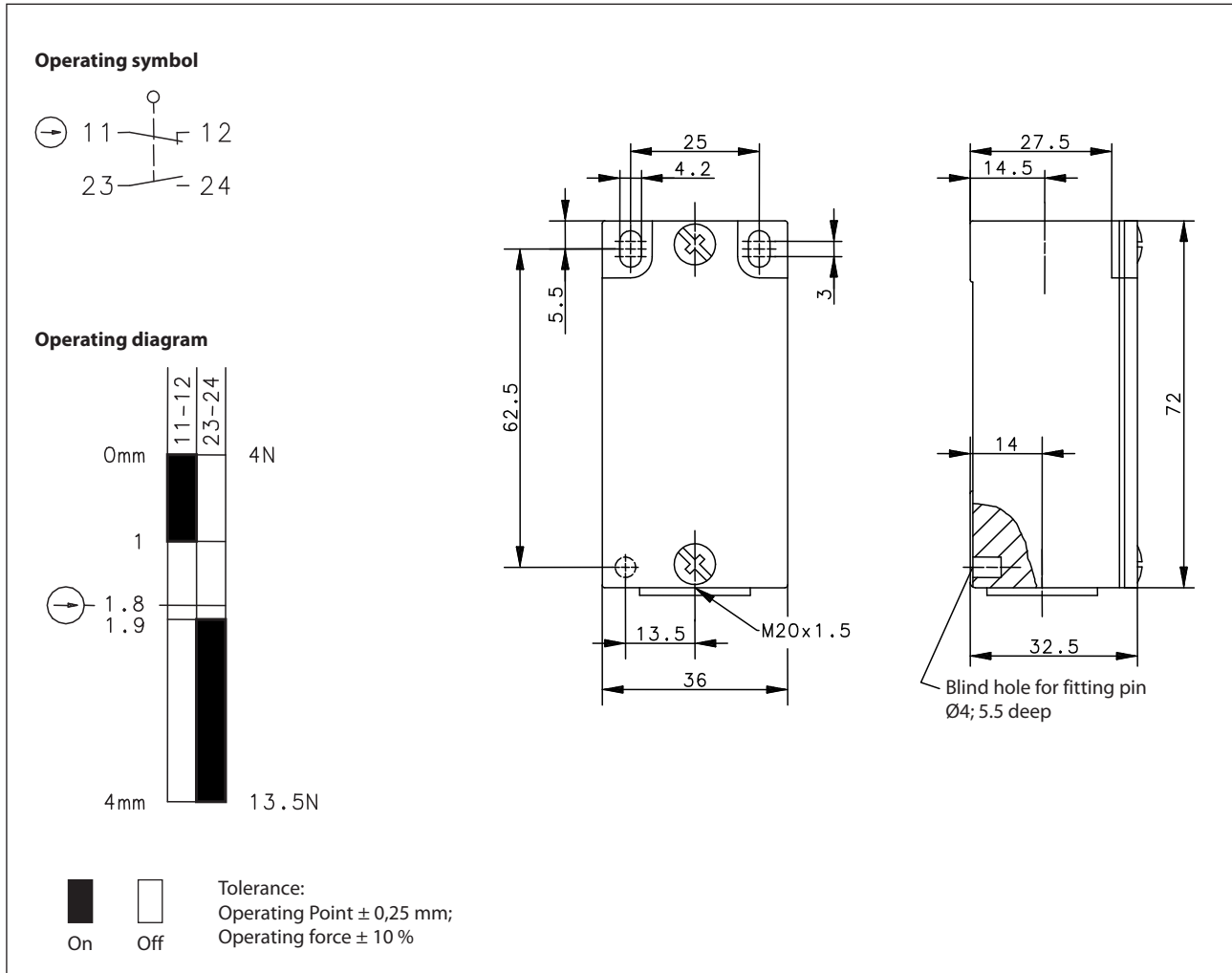


## Metal Switches Series GC

Description **GC-U1Z O.BETG**

Article number **6021100406**



Electrical Data		
Rated insulation voltage	$U_i$	400 V AC
Conv. thermal current	$I_{the}$	10 A
Rated operational voltage	$U_e$	240 V
Utilization category		AC-15, A300, $U_e/I_e$ 240 V / 3 A
Positive opening operation	$\oplus$	acc. to IEC/EN 60947-5-1, annex K only when an appropriate actuating device is used
Short-circuit protective device		Fuse 2 A gG
Protection class		I